



STANDARD SPECIFICATIONS

AND

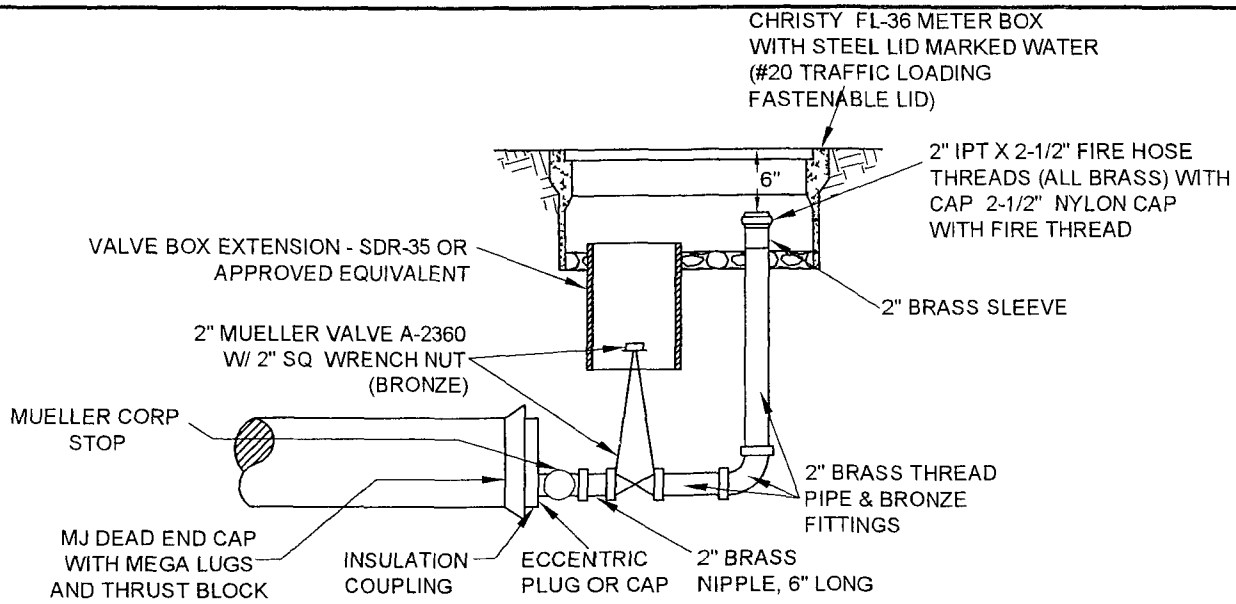
CONSTRUCTION DETAILS

AUGUST 2006

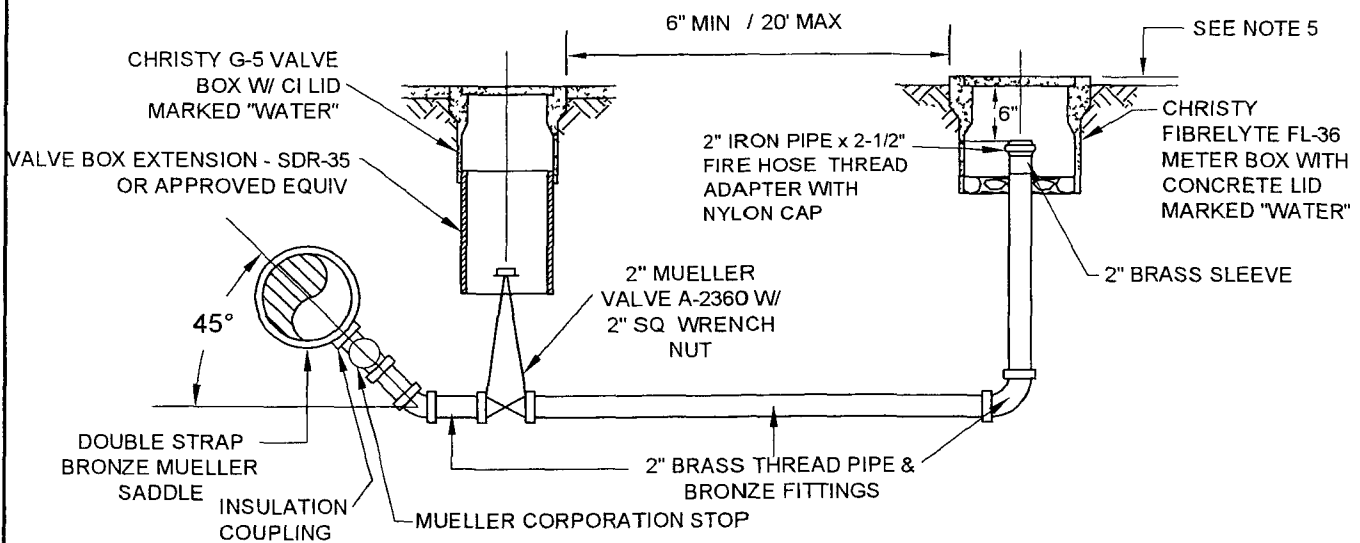
NORTH COAST COUNTY WATER DISTRICT
2400 FRANCISCO BOULEVARD, POST OFFICE BOX 1039
PACIFICA, CALIFORNIA 94044

NCCWD STANDARD DETAILS

| Detail | Title |
|--------|---|
| NC-01 | RESIDENTIAL SERVICE CONNECTION (NEW CONSTRUCTION) |
| NC-02 | RESIDENTIAL SERVICE WITH FIRE SERVICE UPGRADE |
| NC-03 | STANDARD SERVICE SADDLE REQUIREMENTS |
| NC-04 | STANDARD SERVICE RECONNECTION |
| NC-05 | DOUBLE DETECTOR CHECK BACKFLOW UNIT FOR A FIRE SERVICE CONNECTION |
| NC-06 | ¾" – 2" REDUCED PRESSURE BACKFLOW PREVENTER |
| NC-07 | STANDARD UNDERGROUND PRV VAULT |
| NC-08 | 4X2 PRESSURE REDUCING STATION INLET PRESSURES OF 250 PSI OR LESS |
| NC-09 | 6X4X2 PRESSURE REDUCING STATION |
| NC-10 | 8X4 PRESSURE REDUCING STATION |
| NC-11 | 2" BLOWOFF ASSEMBLY |
| NC-12 | TRANSMISSION LINE BLOWOFF ASSEMBLY |
| NC-13A | 2" COMBINATION AIR RELEASE/VACUUM VALVE (INSTALLATIONS WITHIN IMPROVED/UNIMPROVED AREAS) |
| NC-13B | 2" COMBINATION AIR RELEASE/VACUUM VALVE (INSTALLATIONS WITHIN IMPROVED AREAS) |
| NC-14 | SAMPLE STATION |
| NC-15A | STANDARD FIRE HYDRANT WITH CHECK VALVE ASSEMBLY INSTALLATION |
| NC-15B | STANDARD FIRE HYDRANT INSTALLATION (EXISTING HYDRANTS ONLY) |
| NC-16 | FIRE HYDRANT GUARD POSTS (4 POST CONFIGURATION) INSTALLATIONS IN COMMERCIAL / UNIMPROVED AREAS |
| NC-17 | INSTALLATION OF PORTABLE WATER METERS |
| NC-18 | WATER VALVE BOX-TRAFFIC |
| NC-19 | GATE VALVE ASSEMBLY/TRACER WIRE DETAIL |
| NC-20 | STANDARD THRUST BLOCK DETAILS |
| NC-21 | STANDARD PIPE INSTALLATION |
| NC-22 | TYPICAL SERVICE INSTALLATION TRENCH |
| NC-23 | SEPARATION OF WATER MAINS & SANITARY SEWERS |
| ----- | TYPICAL PRIVATE ATMOSPHERIC VACUUM BREAKER |
| ----- | CITY OF PACIFICA STANDARD TRENCH DETAIL NOTES |
| ----- | CITY OF PACIFICA STANDARD TRENCH DETAIL (DWG 301) |
| ----- | CITY OF PACIFICA STANDARD TRENCH DETAIL (DWG 301A) |
| ----- | CITY OF PACIFICA SLURRY SEAL DETAIL (A) (PLAN NO. 301 B) |
| ----- | CITY OF PACIFICA SLURRY SEAL DETAIL (B) (PLAN NO. 301 C) |
| ----- | CITY OF PACIFICA SLURRY SEAL DETAIL (LONGITUDINAL) (301D) |
| ----- | CITY OF PACIFICA SLURRY SEAL DETAIL (NO CEN. LINE) (301 E) |
| ----- | CITY OF SAN BRUNO TYPICAL TRENCH CROSS SECTION |



END OF LINE INSTALLATION



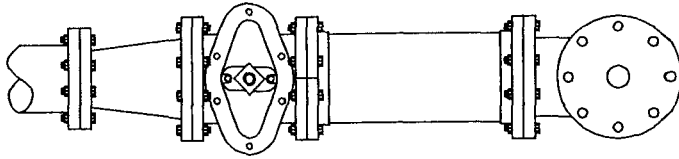
LOW POINT INSTALLATION

NOTES:

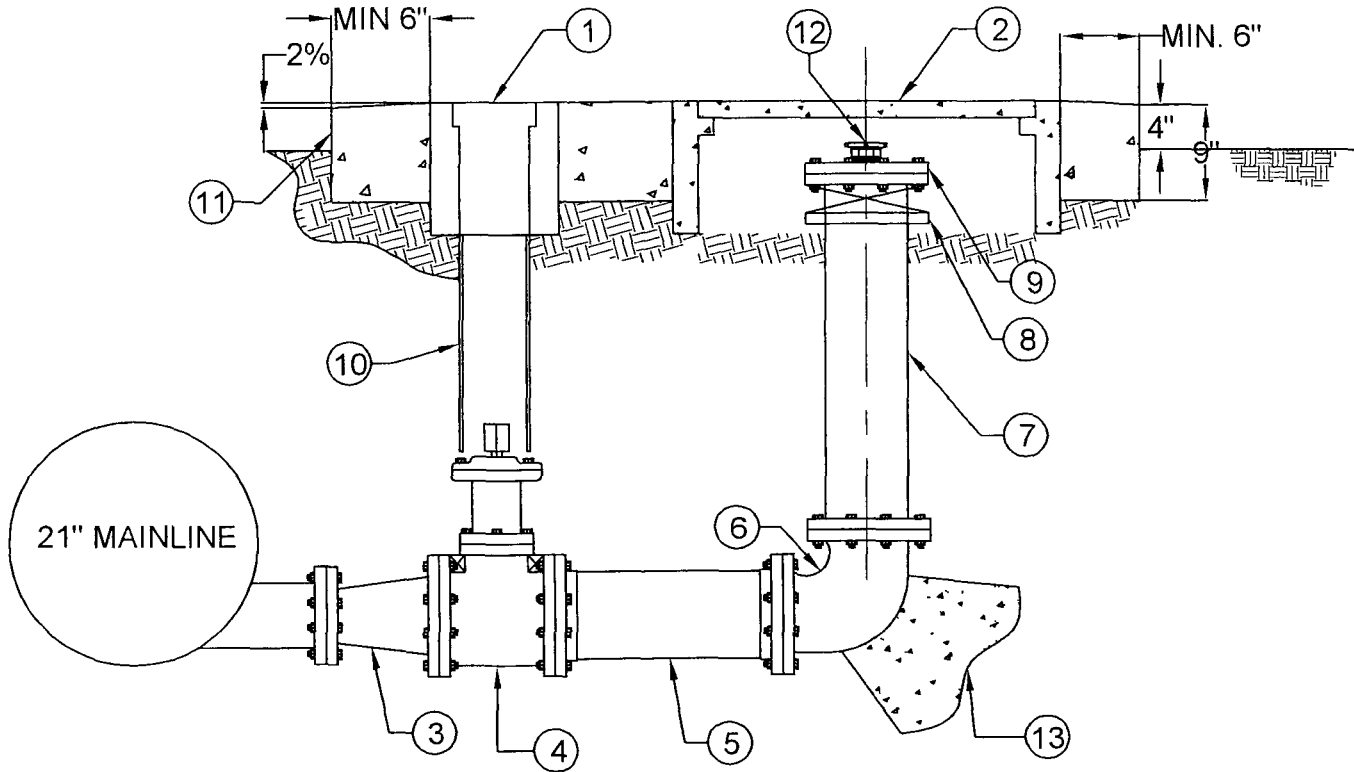
- 1 ALL BRASS PIPE, COPPER TUBS AND FITTINGS SHALL BE WRAPPED WITH WINMORE 10 MIL TAPE WITH 1/2" OVERLAP
- 2 BRASS PIPE RISER TO BE SET PLUMB
- 3 REFER TO NC-03 FOR SERVICE SADDLE REQUIREMENTS
- 4 REFER TO NC-19 FOR GATE VALVE DETAILS AND NC-18 FOR VALVE BOX DETAILS
- 5 WHERE PIPELINE IN LOW-POINT INSTALLATION IS LOCATED OUT OF RIGHT-OF-WAY, THE GATE VALVE AND HOSE CONNECTION MAY BE COMBINED IN ONE BOX AS WITH END OF LINE INSTALLATION
- 6 INSTALL CHRISTY FL-36 BOX FLUSH WITH CONCRETE/ASPHALT OR INSTALL STANDARD FIBRELYTE 2" ABOVE GRADE IN LANDSCAPED AREAS
- 7 USE 1" BLOW-OFF FOR 4" MAINS & SMALLER USE 2" BLOW-OFF FOR 8" MAINS ONLY USE 4" BLOW-OFF FOR MAINS LARGER THAN 8"
- 8 ALL REQUIREMENTS ARE SUBJECT TO CHANGE BY DISTRICT ENGINEER ALL PLANS MUST BE APPROVED BY THE DISTRICT

**NORTH COAST COUNTY WATER DISTRICT
2" BLOWOFF ASSEMBLY**

**STANDARD
DETAIL
NC-11**



PLAN



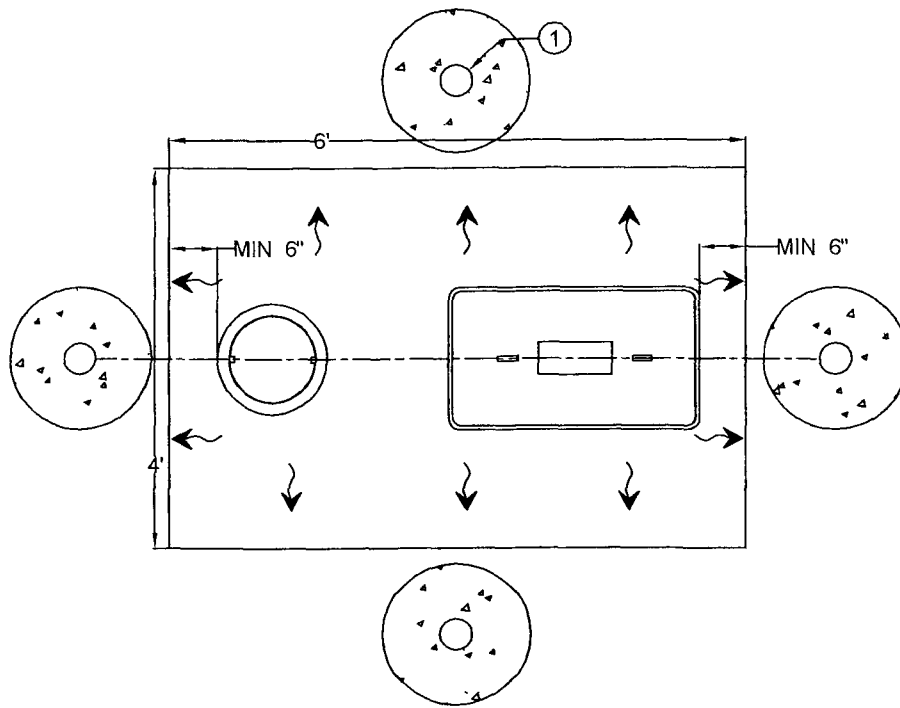
ELEVATION

NOTES:

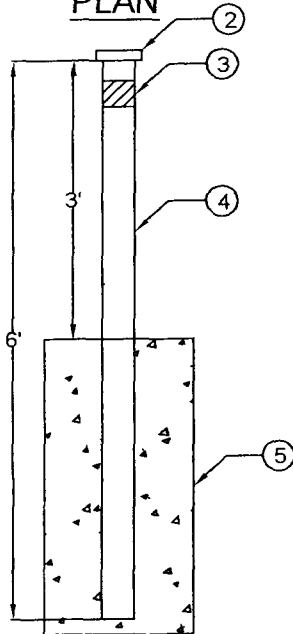
1. CHRISTY G-5 VALVE BOX WITH LID MARKED "WATER".
2. CHRISTY FIBRELYTE FL-36 METER BOX WITH LID MARKED "WATER"
3. TYLER 6"x4" FLANGED COMPACT CONCENTRIC REDUCER (250 PSI RATING)
4. MUELLER 2360 SERIES RESILIENT GATE VALVE, 6". SPECIFY SQUARE NUT.
5. FLANGED BY FLANGED DUCTILE IRON SPOOL, 18" TOTAL LENGTH.
6. TYLER 6"x6" FLANGED 90° BEND (250 PSI RATING).
7. FLANGED BY PLAIN END DUCTILE IRON SPOOL, CUT TO LENGTH.
8. MEGA LUG FLANGE ADAPTER.
9. TYLER 6" BLIND FLANGE WITH A 2" NPT TAP.
10. VALVE BOX EXTENSION-SDR35 OR APPROVED EQUIVALENT.
11. 6' X 4' CONCRETE PAD. 9" DEEP, 4" ABOVE EXISTING GRADE.
12. 2" NPT MALE X 2" FIRE THREAD MALE WITH CAP.
13. THRUST BLOCK PER NC-20.

**NORTH COAST COUNTY WATER DISTRICT
TRANSMISSION LINE BLOWOFF ASSEMBLY**

**STANDARD
DETAIL
NC-12
PAGE 1 OF 2**



PLAN



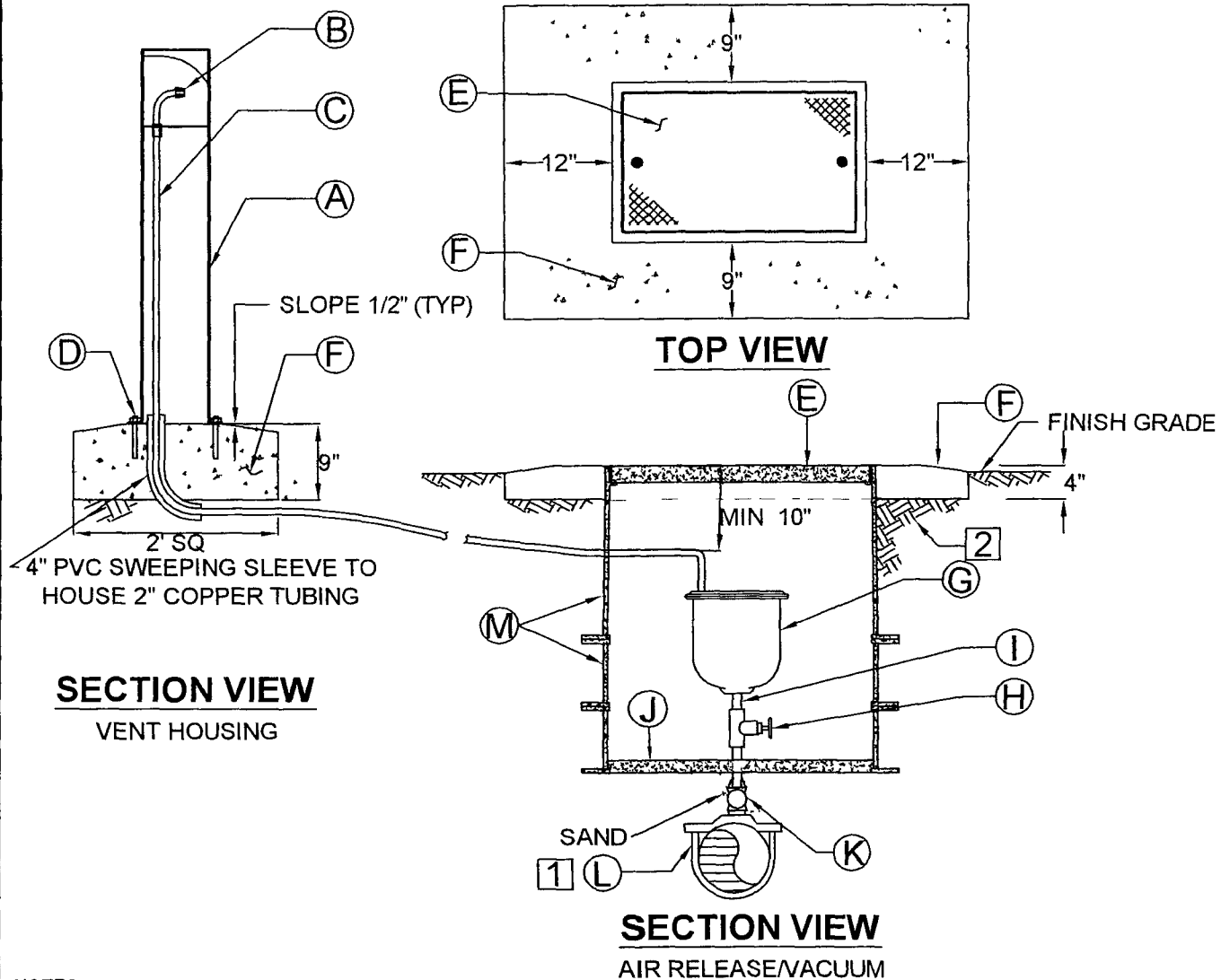
ELEVATION (BOLLARD ONLY)

NOTES:

1. BOLLARDS ARE TO BE SET PLUMB.
2. TOP OF PIPE TO BE FITTED WITH A PUSH ON GALV. STEEL END CAP (TYP).
3. 3" WIDE RED AND WHITE REFLECTORIZED TAPE (TYP).
4. 4" DIA. GALV. STEEL PIPE TO BE FILLED WITH CONCRETE AFTER INSTALLATION (TYP).
5. 18" DIAMETER CONCRETE POURED IN PLACE.

**NORTH COAST COUNTY WATER DISTRICT
TRANSMISSION LINE BLOWOFF ASSEMBLY**

**STANDARD
DETAIL
NC-12
PAGE 2 OF 2**



NOTES

- 1 REFER TO NC-03 FOR SERVICE SADDLE AND CORP STOP REQUIREMENTS
- 2 BACKFILL COMPACTED TO 95% RELATIVE COMPACTION
- 3 ALL REQUIREMENTS ARE SUBJECT TO CHANGE BY DISTRICT ENGINEER ALL PLANS MUST BE APPROVED BY THE DISTRICT
- A AMERICAN & CONVEYOR CORP EZ SAMPLING STATION MODEL # W-98-983 VENT HOUSING TO BE SET PLUMB
- B FINE MESH VC2 2" FIP #10 STAINLESS STEEL VENT CAP
- C 2" BRASS THREADED PIPE AND BRONZE FITTINGS
- D SAMPLING STATION ANCHOR 1/2" 13UNC X 5" (316 SS)
- E CHRISTY TRAFFIC BOX (B1730BOX) WITH COVER (B1730-51JH) CHRISTY TRAFFIC BOX (B1324BOX) WITH COVER (B1324-6JH) FOR 1" OR SMALLER APPLICATIONS
- F CONCRETE PAD, 2,500 PSI MIN (5 SACK MIX)
- G 2" AIR RELEASE / VACUUM VALVE CRISPIN MODEL #UL20 1 FOR APPLICATIONS UNDER 150 PSI CONSULT DISTRICT OR APPLICATIONS WITH GREATER PRESSURES
- H 2" MILWAUKEE GATE VALVE 105 SERIES WITH MALLEABLE IRON HAND WHEEL
- I 2" BRASS NIPPLE-LENGTH TO BE DETERMINED IN THE FIELD
- J 1-1/2" CONCRETE RODENT PROOFING
- K 2" CORPORATION VALVE, MUELLER ORI-CORP B-2996 (REFER TO NC-03 FOR SERVICE SADDLE AND CORP STOP REQUIREMENTS)
- L DOUBLE STRAP BRONZE SERVICE SADDLE REFER TO NC-03 FOR DETAILS
- M CHRISTY B1730X12 EXTENSION IS TO BE USED FOR THE B1730BOX
CHRISTY B1324X12 EXTENSION IS TO BE USED FOR THE B1324BOX

**NORTH COAST COUNTY WATER DISTRICT
2" COMBINATION AIR RELEASE/VACUUM VALVE
(INSTALLATIONS WITHIN IMPROVED AREAS)**

**STANDARD
DETAIL
NC-13B**

AUGUST 2006