

NORTH COAST COUNTY WATER DISTRICT
APPLICATION FOR PERMIT TO USE PORTABLE WATER METER

DISTRICT USE
ROUTE <u>900</u>
SERVICE _____

Name of Applicant: _____

Address: _____

Phone Number: (____) _____

Name and title of person completing application if applicant represents a corporation, partnership or joint venture.

Name: _____ Title: _____

The portable water meter will be used to provide water for the following purpose _____

The location at which the portable water meter will be used is _____
_____, Pacifica, CA.

The portable water meter will be used from _____, 200__ until _____, 200__.

1. Applicant hereby agrees to comply with all NCCWD *Regulations for Use of Portable Water Meters* that are printed on the back of this Application. Applicant's signature on this application signifies that applicant has read and understands the *Regulations for the Use of Portable Water Meters*.
2. Applicant agrees to submit a security deposit prior to obtaining possession of the portable water meter. The security deposit for the 3-inch meter is \$1500 and for the 5/8-inch meter is \$500.
3. Applicant agrees to pay for all water used through the portable water meter as set forth in Section 1D of the District's Rate and Fee Schedule. Applicant also agrees to pay a bi-monthly meter charge as set forth in Section 1A of the District's Rate and Fee Schedule. Applicant agrees to pay all charges within 30 days of the date of the District's invoice.
4. Applicant agrees to return the portable water meter and appurtenances in the same condition as they were delivered to Applicant. Applicant agrees to return the meter to the District upon demand. Applicant is subject to a late charge as described in Regulation 7 in the *Regulations for Use of Portable Water Meters*.

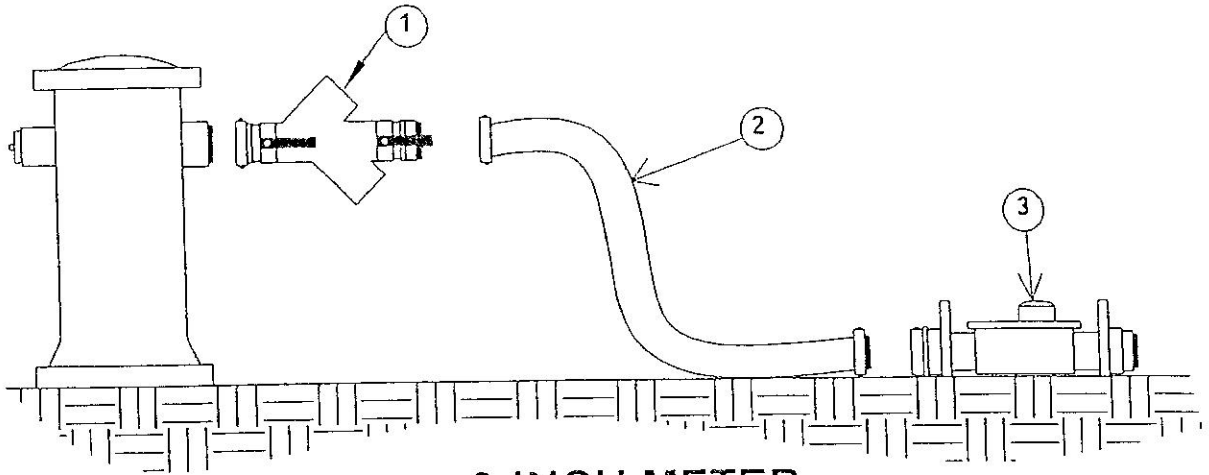
Signature of Applicant Date

DISTRICT USE			
Meter # _____	Meter Size _____		
Meter delivered on _____	Meter returned on _____		
Initial Meter Reading _____	Final Meter Reading _____		
Security Deposit received \$ _____			
Equipment	Issued (check)	Returned (check)	Condition
Meter	_____	_____	_____
Backflow Device	_____	_____	_____
Hose (3" meter only)	_____	_____	_____
Spanner	_____	_____	_____
Meter Locked?	_____	_____	_____
PERMIT APPROVED: _____			
Date	Initial		

NORTH COAST COUNTY WATER DISTRICT	
RECEIPT FOR RETURNED METER	
Meter Returned to NCCWD by:	
Signature: _____	Date: _____

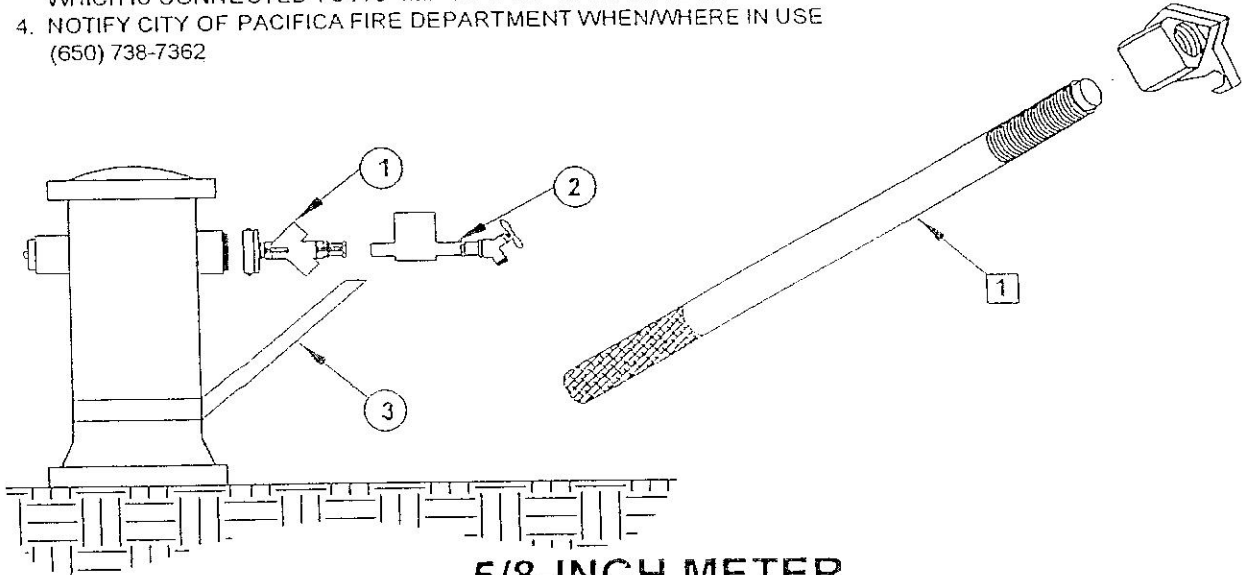
**NORTH COAST COUNTY WATER DISTRICT
REGULATIONS FOR USE OF PORTABLE WATER METER**

1. Any person using a District portable meter shall first apply for a permit from the District to do so. The Application shall include information regarding the name of the applicant, the intended use of the meter, the location at which the meter is to be installed, and the date the meter will be returned.
2. The portable water meter shall not be used for any purpose not described on the Application.
3. The portable water meter shall not be removed from the City of Pacifica without the written consent of the District.
4. Any unauthorized use of the portable water meter shall be deemed an illegal use of water and Applicant shall be subject to penalties as set forth in the District's Rate and Fee Schedule.
5. Applicant, at its sole cost and expense, shall be responsible for the following:
 - a. Picking up, delivering and transporting the portable water meter to and from the District office.
 - b. Ensuring that only properly trained people use and operate the portable water meter.
 - c. Installing and using the portable water meter in a responsible, safe and careful manner. The Applicant shall install the portable water meter in accordance with District instructions, including the following: For installing a 3-inch meter, the backflow preventer unit shall be installed on the hydrant 2-1/2-inch nozzle. A six-foot fire hose shall be attached between the backflow preventer unit and the water meter. The meter shall be set at ground level. For installing a 5/8-inch meter, the meter shall be attached directly to the backflow preventer that is installed on the hydrant 2-1/2-inch nozzle.
 - d. Notifying the City of Pacifica Fire Department when, where and how the portable water meter will be used in advance of the use of the portable water meter, and complying with all rules and regulations of the Fire Department.
 - e. Taking necessary measures to secure the portable water meter from theft or damage, and notifying the District immediately if the portable water meter is stolen, damaged or if it malfunctions.
 - f. Accepting all responsibility for damage and liability caused by the use of the portable water meter, including, but not limited to, flooding and erosion.
 - g. Take all necessary measures in order to meet National Pollutant Discharge Elimination System ("NPDES") discharge regulations as stated in the San Mateo County Storm Water Pollution Prevention Program.
6. Applicant shall be responsible for all damage to the portable water meter. District, in its discretion, may repair any damage to the portable water meter at the sole cost and expense of Lessee. District may deduct such cost and expense from Applicant's security deposit.
7. Applicant shall return the meter to the District when the meter is no longer to be used, at the end of the permitted time period, or upon District's demand. Applicant is subject to a late charge of \$750 per day for a 3-inch meter and \$250 per day for a 5/8-inch meter for failure to return the portable water meter by the end of the business day that the meter is due. The late charge will be deducted from the security deposit.



3-INCH METER

1. 2" RP BACKFLOW PREVENTER (ONE UNIT)
(2-1/2" SWIVEL BY 2" MIP CONNECTS TO A 2" RP BACKFLOW PREVENTER WHICH IS CONNECTED TO A 2" MIP BY 2-1/2" MALE HOSE THREAD)
2. 6' LENGTH OF 2-1/2" FIRE HOSE
3. 3" TURBO WATER METER (ONE UNIT)
(2-1/2" SWIVEL BY 3" MIP CONNECTS TO A 3" TURBO WATER METER) WHICH IS CONNECTED TO A 3" MIP BY 2-1/2" MALE HOSE THREAD
4. NOTIFY CITY OF PACIFICA FIRE DEPARTMENT WHEN/WHERE IN USE
(650) 738-7362



5/8-INCH METER

1. 3/4" RP BACKFLOW PREVENTER (ONE UNIT)
(2-1/2" SWIVEL BY 3/4" MIP CONNECTS TO THE 3/4" RP BACKFLOW PREVENTER WHICH CONNECTS TO THE 3/4" TAILPIECE)
2. 5/8 x 3/4" WATER METER CONNECTS TO THE 3/4" TAILPIECE WHICH IS CONNECTED TO THE 3/4" FIP FAUCET)
3. METER SUPPORT STAND (INSTALLED BY DISTRICT)
4. NOTIFY CITY OF PACIFICA FIRE DEPARTMENT WHEN/WHERE IN USE
(650) 738-7362

NOTE:

1. SPANNER WRENCH TO BE ISSUED BY THE DISTRICT.

NORTH COAST COUNTY WATER DISTRICT
INSTALLATION OF PORTABLE WATER METERS

STANDARD
DETAIL
NC-17

SEPTEMBER 2004